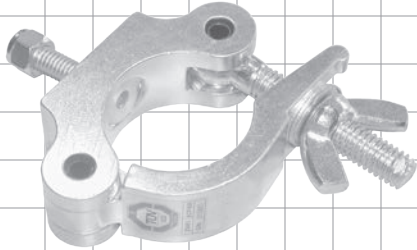


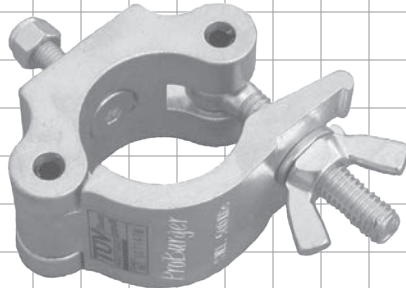
Black Anodized
Versions Also
Available

ProBurger™

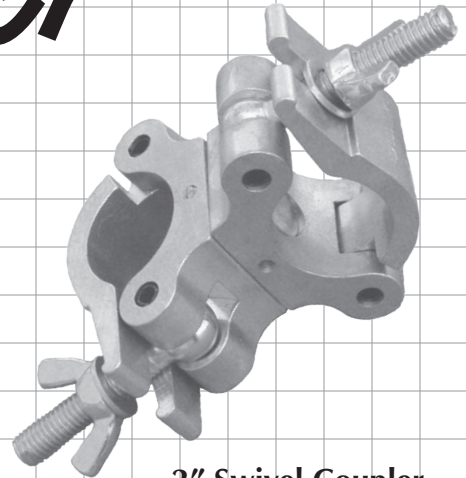
PROFESSIONAL COUPLERS



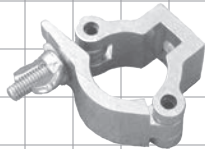
2" Slim Half Coupler



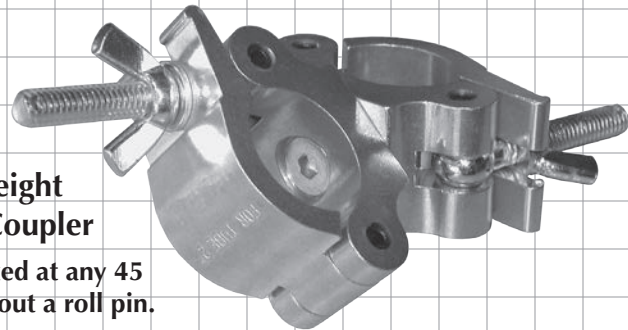
2" Half Coupler



2" Swivel Coupler

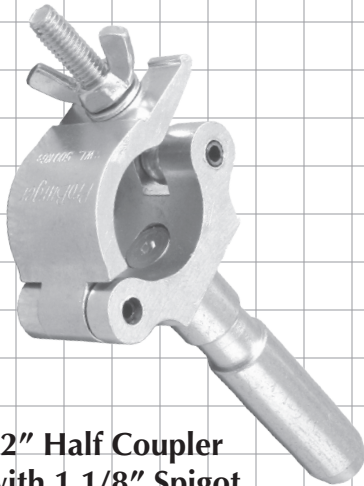


1" Half Coupler

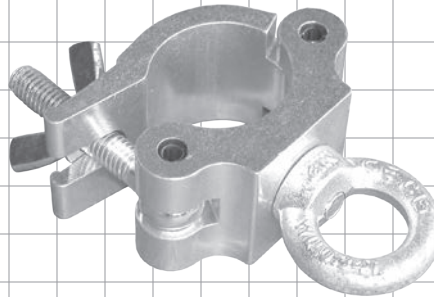


2" Lightweight
Adjustable Coupler

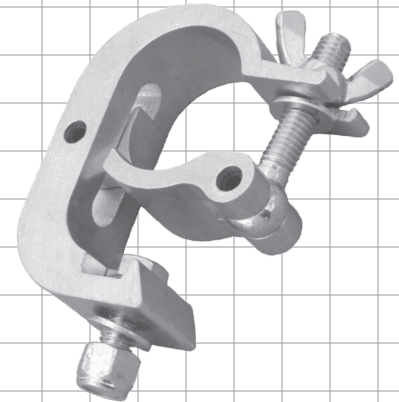
Can be instantly fixed at any 45
degree interval without a roll pin.



2" Half Coupler
with 1 1/8" Spigot



2" Half Coupler
with Eye Ring



2" Snap Coupler

ProBurger couplers are constructed from a certified high tensile-strength 6061 T6 aluminum extrusion. They attach securely to tubes and combine strength and durability with a high degree of safety. Select models TUV certified.

ProBurger provides entertainment industry users with a great deal of flexibility in creating attachments to meet their individual requirements.



Production Supplies & Services Worldwide

tmb-info@tmb.com

LOS ANGELES

LONDON

NEW YORK

BEIJING

TORONTO

Tel: +1 818.899.8818

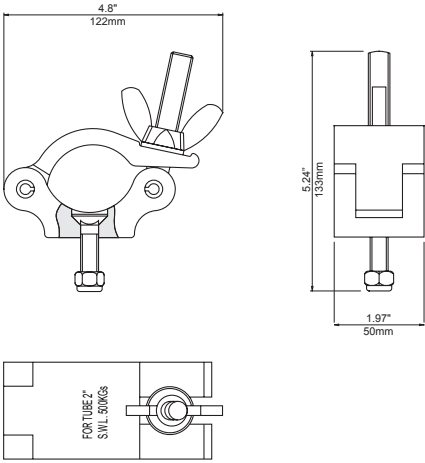
Tel: +44 (0)20.8574.9700

Tel: +1 201.896.8600

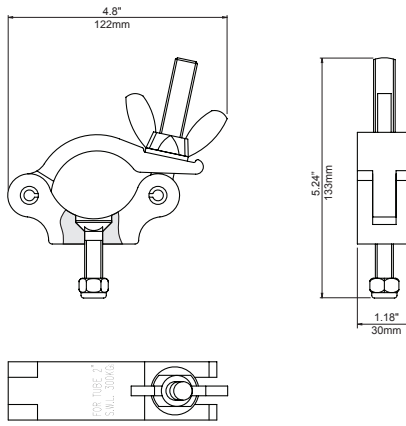
Tel: +86 10.8492.1587

Tel: +1 519.538.0888

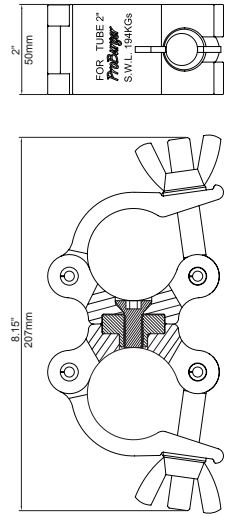
© TMB



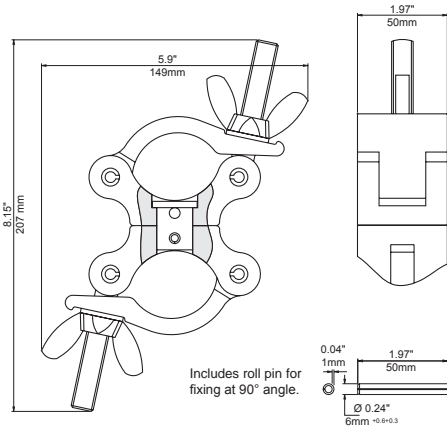
2" Half Couplers		
PRBHC3/8	3/8" Mounting Bolt Natural Finish	500 Kg S.W.L.
PRBHC3/8B	3/8" Mounting Bolt Black Anodized Finish	500 Kg S.W.L.
PRBHC1/2	1/2" Mounting Bolt Natural Finish	500 Kg S.W.L.
PRBHC1/2B	1/2" Mounting Bolt Black Anodized Finish	500 Kg S.W.L.



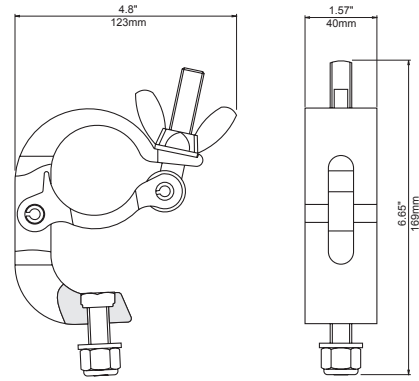
2" Slim Half Couplers		
PRBHCSL	3/8" Mounting Bolt Natural Finish	300 Kg S.W.L.
PRBHCSLB	3/8" Mounting Bolt Black Anodized Finish	300 Kg S.W.L.



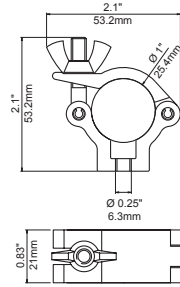
2" Lightweight Adjustable Couplers		
PRBACS	Adjustable Coupler Natural Finish	194 Kg S.W.L.
PRBACB	Adjustable Coupler Black Anodized Finish	194 Kg S.W.L.



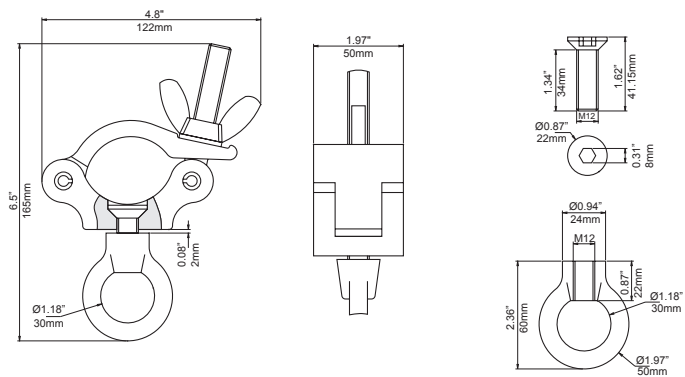
2" Swivel Couplers		
PRBSC	Swivel Coupler Natural Finish	500 Kg S.W.L.
PRBSCB	Swivel Coupler Black Anodized Finish	500 Kg S.W.L.



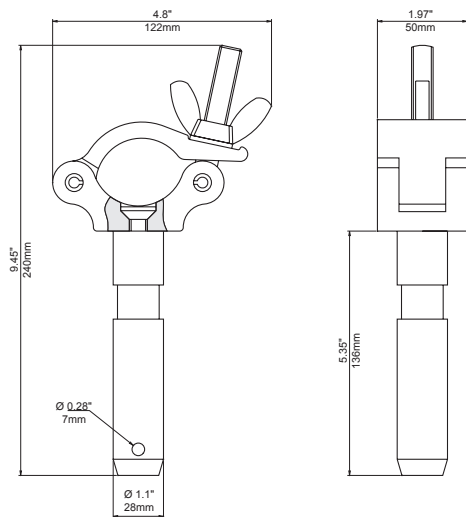
2" Snap Couplers		
PRBSNC1/2	1/2" Mounting Bolt Natural Finish	300 Kg S.W.L.
PRBSNC1/2B	1/2" Mounting Bolt Black Anodized Finish	300 Kg S.W.L.



1" Half Couplers		
PRBHC1	1/4" Mounting Bolt (bolt not included) Natural Finish	50 Kg S.W.L.



2" Half Coupler with Eye Ring		
PRBERC	M12 Eye Ring Natural Finish	340 Kg S.W.L.



2" Half Coupler with Spigot		
PRBSPC	1 1/8" Spigot Natural Finish	500 Kg S.W.L.