

## M8 with MAX Technology®

### Main Features

- Lensless MAX Technology®: Easy to use
- Extremely bright
- Smallest lamphead with MAX reflector
- Highly mobile for a wide range of uses
- Focusable between 15° and 62°
- Cross cooling allows safe operation even at 90° tilt
- Uses existing 230 mm & 245 mm accessories and Chimera of True Blue D12
- Uses existing 575 / 800 / 1200 / 1800 W cables with international connector
- Suitable for high frame rate images
- Weather resistant

### “Punches above it’s weight”

The M8 is the latest and smallest lighting fixture in ARRI’s highly successful M-Series of daylight lampheads. Like the rest of the M-Series, the M8 is equipped with MAX Technology®, a unique, patented reflector design that unifies the advantages of a Fresnel and a PAR fixture.

With the M8 at one end and the ARRIMAX 18/12 at the other, the M-Series is now complete. Comprising five state-of-the-art lampheads that between them offer a range of nine evenly-staggered wattage options from 800 W up to 18,000 W, the M-Series represents a comprehensive daylight toolset of the highest quality.

The combination of an open face design and the unrivalled efficiency of the MAX reflector makes the M8 exceptionally bright; in fact, the light output produced by its 800 W lamp comes close to the output from a 1,200 W Fresnel or PAR (with lens). The unit can be focused between 15° and 62° just by turning the focus knob, producing a remarkably even light field and a crisp, clear shadow. By eliminating the need for bulky, easily breakable spread lenses, the M8 will speed up workflows on set.

Lightweight and compact, the M8 is highly portable and ideal for a wide range of different uses. From cramped, inaccessible locations to feature film sound stages, the M8 will be equally at home and equally useful whether the production is a run-and-gun interview, a fast-moving documentary, a television series or a major movie.

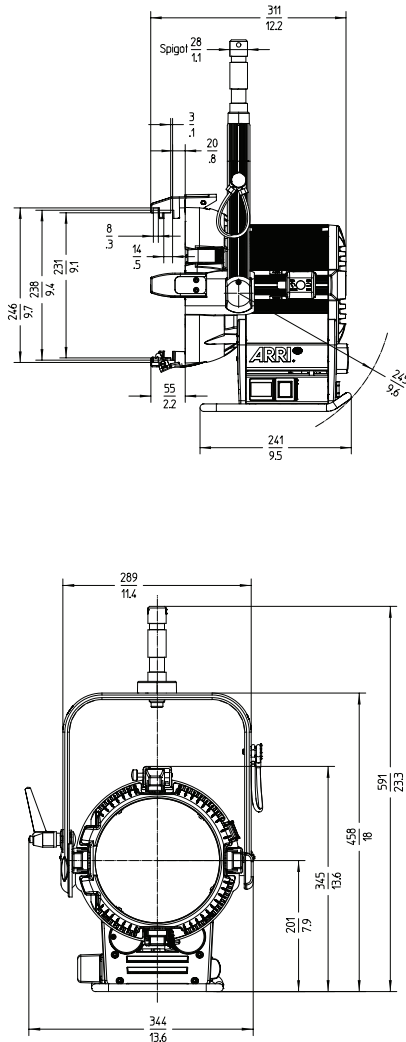
The M8 has the same 245/230 mm accessory diameter as the current ARRI True Blue D12 fixture, so existing barndoors, scrims and Chimeras can also be used, held securely in place by the M8’s powerful tilt lock. In addition, the M8 can be used with existing 575 W, 800 W 1200 W or 1800 W cables with international connector (VEAM). The Frosted Glass offers an almost perfect even and homogenous field of light without any additional diffusion

Like many other ARRI lampheads, the M8 incorporates a cross cooling system that allows safe operation even at extreme tilt angles. The electronics housing is spaced apart from the actual lamp housing to keep temperatures down and prolong the lifetime of electronic components. The M8 is easy to open and therefore easy to maintain.

For outdoor use the M8’s IP23 protection class rating allows the lamphead to withstand rough weather conditions, even driving rain.



## Technical Specifications



Order No.	Description
L1.37200.B	M8 daylight lamphead with MAX reflector, 800 W, manual, blue/silver, international connector (VEAM)

### Electronic Ballasts

L2.76184.KH	EB® 575/800 HS, 120/230 V~, ALF, CCL, DMX 50/60/75/1000 Hz
-------------	--

### Accessories

L2.39870.0	4-leaf barndoor True Blue, black, (245 mm / 9.7")
L2.39900.0	8-leaf barndoor True Blue, black, (245 mm / 9.7")
L2.37208.0	Frosted Glass (242 mm / 9.5")
L2.37207.0	Spill Rings (230 mm / 9.1")
L2.79890.0	Filter frame (230 mm / 9.1")
L2.79880.0	Snoot (245 mm / 9.7") with variable aperture
L2.79860.0	Set of 4 Scrim (230 mm / 9.1")
L2.79860.A	Scrim, full single (230 mm / 9.1")
L2.79860.B	Scrim, full double (230 mm / 9.1")
L2.79860.C	Scrim, half single (230 mm / 9.1")
L2.79860.D	Scrim, half double (230 mm / 9.1")
L2.75600.0	Head to ballast cable, 575 W/800 W/1200 W/1800 W, 7 m with international connector (VEAM)
L2.75600.C	Head to ballast cable, 575 W/800 W/1200 W/1800 W, 15 m with international connector (VEAM)
L2.89055.0	Chimera Lightbank Quartz Plus "M", incl. 3 front screens (8435)
L2.76248.0	Chimera Speed Ring Circular (245 mm / 9.65")

### Lamps

L2.0003872	Lamp DIS 800 W/SE G22 UV-B (Koto)
L2.37240.0	Lamp HMI 800 W/SEL G22 HR UV (Osram)

### Specifications

Reflector	MAX reflector made of high purity aluminium
Mounting	Spigot 28 mm / 1 1/8" (1.1")
Dimensions	344 x 311 x 458 mm (W x L x H)
Packed size	400 x 460 x 440 mm (W x L x H)
Weight	approx. 8 kg / 17.5 lbs
Packed weight	approx. 10 kg / 22 lbs
Protection Rating	IP 23
Certification	CE, CB, GS, cNRTLus

### Photometric Data with 800 W lamp\*

Throw (m) / (ft)	5 / approx 16	10 / approx 33	15 / approx 49
<b>Spot: 15°</b>			
Output (lux)	16,200	4,050	1,800
Diameter (m)	1.32	2.63	3.95
<b>Medium: 40°</b>			
Output (lux)	3,020	755	336
Diameter (m)	3.64	7.28	10.92
<b>Flood: 60°</b>			
Output (lux)	1,600	400	178
Diameter (m)	5.77	11.55	17.32

\* All specifications are nominal / typical values. The light output is reduced using the frosted glass.