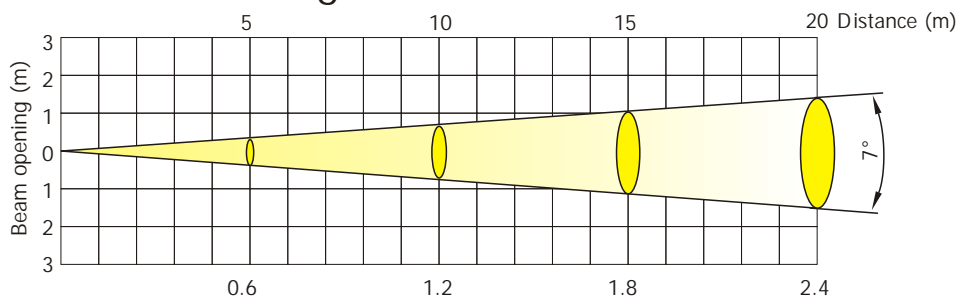


Robin DL7S Profile

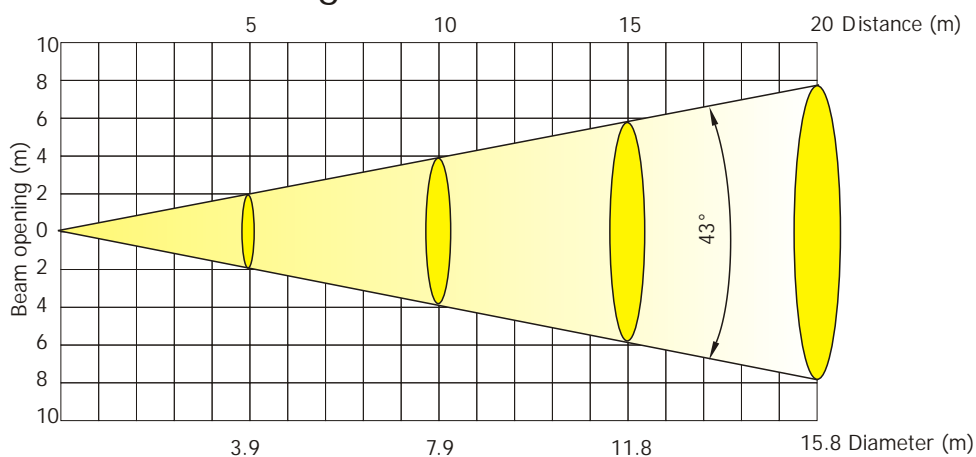
Photometric Diagrams

Beam angle 7° - Min. zoom



Distance (m)	5	8	10	12	14	16	18	20	
Red	2750/256	1074/100	688/64	477/44	351/33	268/25	212/20	172/16	Intensity (center) Lux/Footcandles
Green	2280/212	890/83	570/53	396/37	291/27	223/21	176/16	142/211	
Blue	850/79	332/31	213/20	148/14	108/10	83/8	66/6	53/5	
Amber	2230/207	871/81	557/52	387/36	284/26	218/20	172/16	140/13	
Cyan	1710/159	668/62	428/40	297/27	218/20	167/16	132/12	107/10	
Congo Blue	54/5	21/2	14/1.3	9/0.9	7/0.6	5/0.5	4/0.4	3/0.3	
Light Green	6700/622	2617/243	1675/156	1163/108	854/49	654/61	517/48	418/623	
R+G+B+A+C+CB+LG (Uncalibrated white)	14000/1300	5469/508	3500/325	2430/226	1786/166	1367/127	1080/100	875/81	

Beam angle 43° - Max. zoom

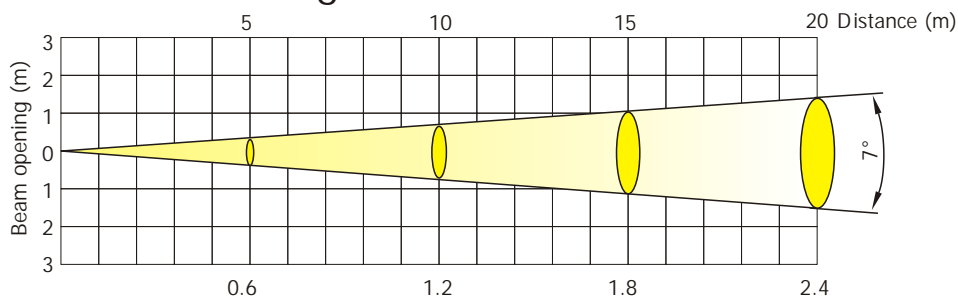


Distance (m)	5	8	10	12	14	16	18	20	
Red	110/10	43/4	28/3	20/1.8	14/13	11/1	9/0.8	7/0.6	Intensity (center) Lux/Footcandles
Green	95/9	37/3.4	24/2.2	17/1.5	12/1.1	9/0.9	7/0.7	6/0.6	
Blue	42/4	16/1.5	11/1	7/0.7	5/0.5	4/0.4	3/0.3	2.6/0.2	
Amber	100/9	39/3.6	25/2.3	17/1.6	13/1.2	10/0.9	8/0.7	6/0.6	
Cyan	46/4	18/1.7	12/1.1	8/0.7	6/0.5	5/0.4	4/0.3	3/0.3	
Congo Blue	3/0.3	1/0.1	0.8/0.1	0.5/0.082	0.4/0.075	0.3/0.068	0.2/0.056	0.2/0.046	
Light Green	300/28	117/11	75/7	52/5	38/3.6	29/2.7	23/2.2	18/1.7	
R+G+B+A+C+CB+LG (Uncalibrated white)	570/53	223/21	143/13	100/9	73/7	56/5	44/4.1	36/3.3	

Robin DL7S Profile

Photometric Diagrams

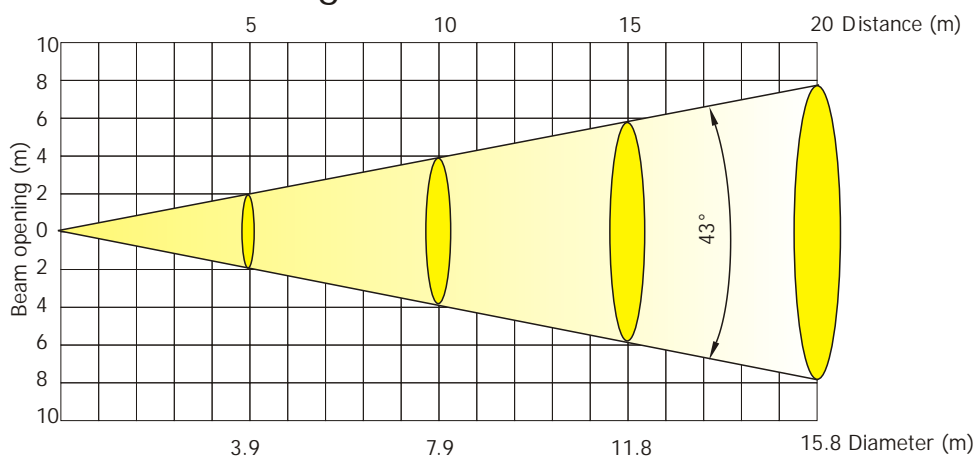
Beam angle 7° - Min. zoom



Max. CRI (>90) + Max. Light output

Distance (m)	5	8	10	12	14	16	18	20	
White 2700K	5990/556	2340/217	1497/139	1039/97	765/71	585/54	462/43	374/35	Intensity (center) Lux/Footcandles
White 3200K	6250/580	2440/227	1562/145	1085/100	797/74	610/57	482/45	390/36	
White 4200K	7385/686	2885/268	1846/172	1282/119	942/88	721/67	570/53	462/43	
White 5600K	8760/813	3422/318	2190/203	1520/141	1117/104	855/80	676/63	548/51	
White 8000K	9030/839	3527/328	2558/210	1567/146	1152/107	882/82	695/65	564/52	

Beam angle 43° - Max. zoom



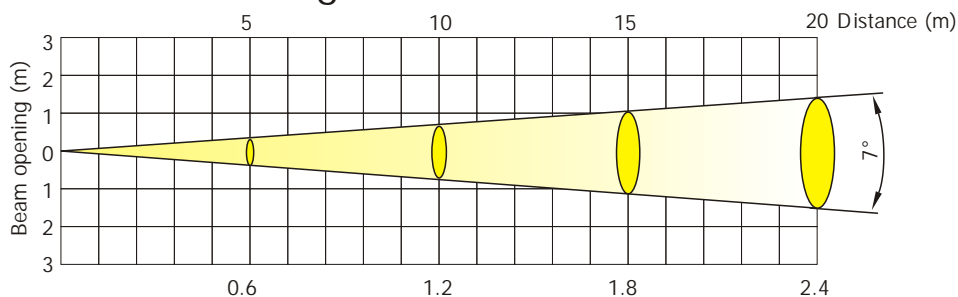
Max. CRI (>90) + Max. Light output

Distance (m)	5	8	10	12	14	16	18	20	
White 2700K	298/28	116/11	75/7	52/5	38/3.5	30/2.7	23/2	19/1.7	Intensity (center) Lux/Footcandles
White 3200K	305/28	119/11	76/7	53/5	39/4	30/2.8	24/2.2	19/1.8	
White 4200K	360/33	140/13	90/8	63/6	46/4	35/3	28/2.6	23/2	
White 5600K	420/39	164/15	105/10	73/7	54/5	41/4	32/3	26/2.4	
White 8000K	435/40	170/16	109/10	76/7	55/5	42/4	34/3	27/2.6	

Robin DL7S Profile

Photometric Diagrams

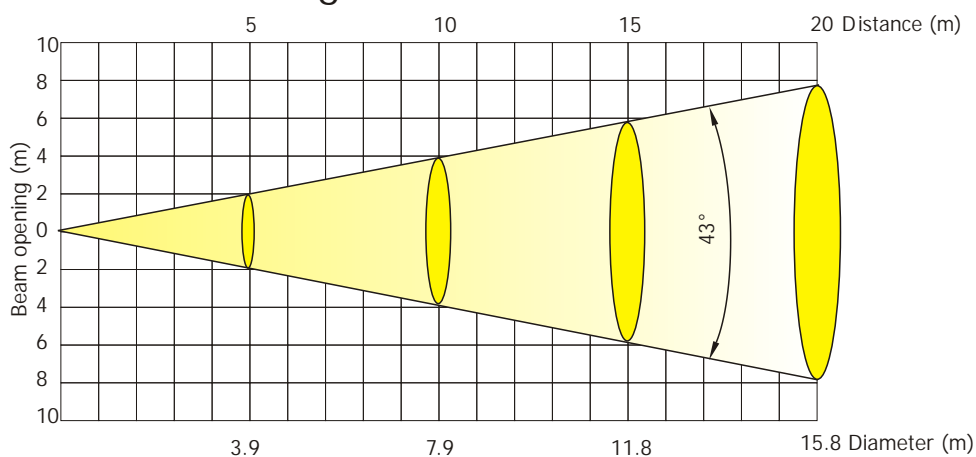
Beam angle 7° - Min. zoom



Max. Light output

Distance (m)	5	8	10	12	14	16	18	20	
White 2700K	8240/766	3219/300	2060/192	1430/133	1050/98	805/75	636/59	515/48	Intensity (center) Lux/Footcandles
White 3200K	8340/775	3258/303	2085/194	1448/194	1064/99	815/76	643/60	521/48	
White 4200K	8860/823	3460/322	2215/206	1538/143	1130/105	865/80	684/64	553/51	
White 5600K	9640/895	3765/350	2410/224	1673/155	1230/114	941/88	744/70	602/56	
White 8000K	9950/924	3887/361	2488/231	1727/160	1270/118	972/90	768/72	622/58	

Beam angle 43° - Max. zoom



Max. Light output

Distance (m)	5	8	10	12	14	16	18	20	
White 2700K	400/37	156/15	100/9	69/7	51/4.7	39/3.6	31/3	25/2.3	Intensity (center) Lux/Footcandles
White 3200K	422/39	165/15	105/10	73/7	54/5	41/3.8	33/3	26/2.5	
White 4200K	440/41	172/16	110/10	76/7	56/5	43/4	34/3.2	28/2.6	
White 5600K	480/45	188/17	120/11	83/8	61/6	47/4	37/3.4	30/2.8	
White 8000K	500/46	195/18	125/12	87/8	64/6	49/4.5	39/3.6	31/2.9	