



Sai-500 LED Followspot

Medium Throw LED Followspot

The USHIO Sai-500 is a lightweight and portable 440W medium-throw LED followspot. Its compact size and low power consumption make it the ideal choice for medium sized venues. Its portable size and ease of use makes it an ideal lighting instrument for use in theatres, houses of worship, schools, ballrooms, and multipurpose venues.

In Japan, Sai means “beautiful color”. Our unique phosphors vividly and accurately reproduce the natural colors of skin tones, costumes, and backdrops as they were meant to be portrayed by the artists and designers. The 5800K color temperature and a CRI rating of 92 closely matches the color qualities of xenon.

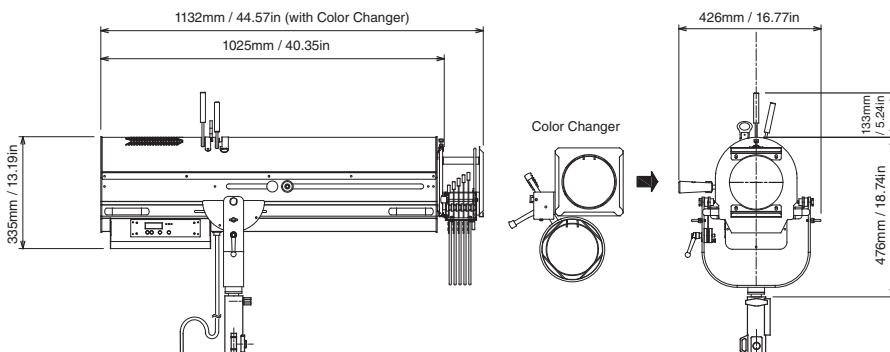
The Sai-500 inherits the same design characteristics of balance, ergonomics and superior functionality as our xenon powered followspot, the Takumi-2000A. Step-less electronic manual dimming via a conventional lever (patent pending) or DMX control via XLR connector, and an iris that closes to 100% are unique features of the Sai-500 that stand apart from competing and legacy followspots.

FEATURES & BENEFITS

- High Illuminance
- High CRI (Ra ≥ 92) 5800K
- Step-less Electronic Dimming with Douser Lever (Patent Pending)
- DMX Dimming Control
- Iris Closes 100%
- Easy Operation
- Compact and Lightweight

APPLICATIONS

- Theatres
- Houses of Worship
- Schools
- Ballrooms
- Multipurpose Venues



SPECIFICATIONS

Ordering Code	Product Name
1005145	SAI-500CB LED Follow Spot Kit includes: Stand, Head, Color Changer, Gobo Holder, and Power Cable

Fixture Body Model Name	Sai-500CB
Rated Voltage	Single Phase AC 100V-240V
Power Consumption	440W
Frequency	50/60 Hz
Maximum Ambient Temperature	35°C
Maximum Surface Temperature	53°C
Minimum Throw Distance	1.0m
Minimum Offset Distance	0.1m
Operation Angle Range	Within 20° Upward, 52° Downward
Input Cable	Removable 5m long cable with Neutrik PowerCON TRUE1
Weight	29kg (63.93lb)
Dimensions	W 426 x H 609 x L 1132 (mm) / W 16.77 x H 23.98 x L 44.57 (in)
Cooling	Dual Cooling Fans
Noise	42dB or Less (Distance of 1m)
Material	Sheet Iron
Color	Black
Light Source	400W LED White COB
Beam Color Temperature	5800K
CRI	≥ 92 Ra
Rated LED Lifetime	50,000 Hours at 25°C Max.
Dimming	0-100% Manual Control / 0-100% DMX
Iris Shutter	Fully Closing Iris
Compatible Fittings	Ø 30 Spigot
Color Changer	XCC-6XB-6"D/e (6 color)
Data IN Connector	XLR 5P Male
Stand Model Name	STD-S500
Stand Weight	16kg (35.27lb)
Standards Compliance	ETL, CE Pending

INCLUDED ACCESSORIES



Color Changer

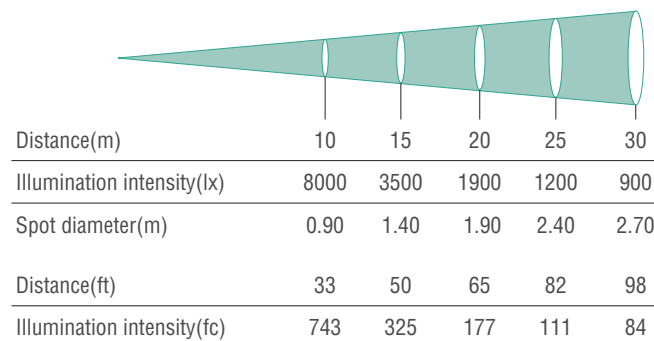


Gobo Holder
(Gobo Holder & Power Cable)



SAI-500 LED Follow Spot

Photometrics Data



USHIO